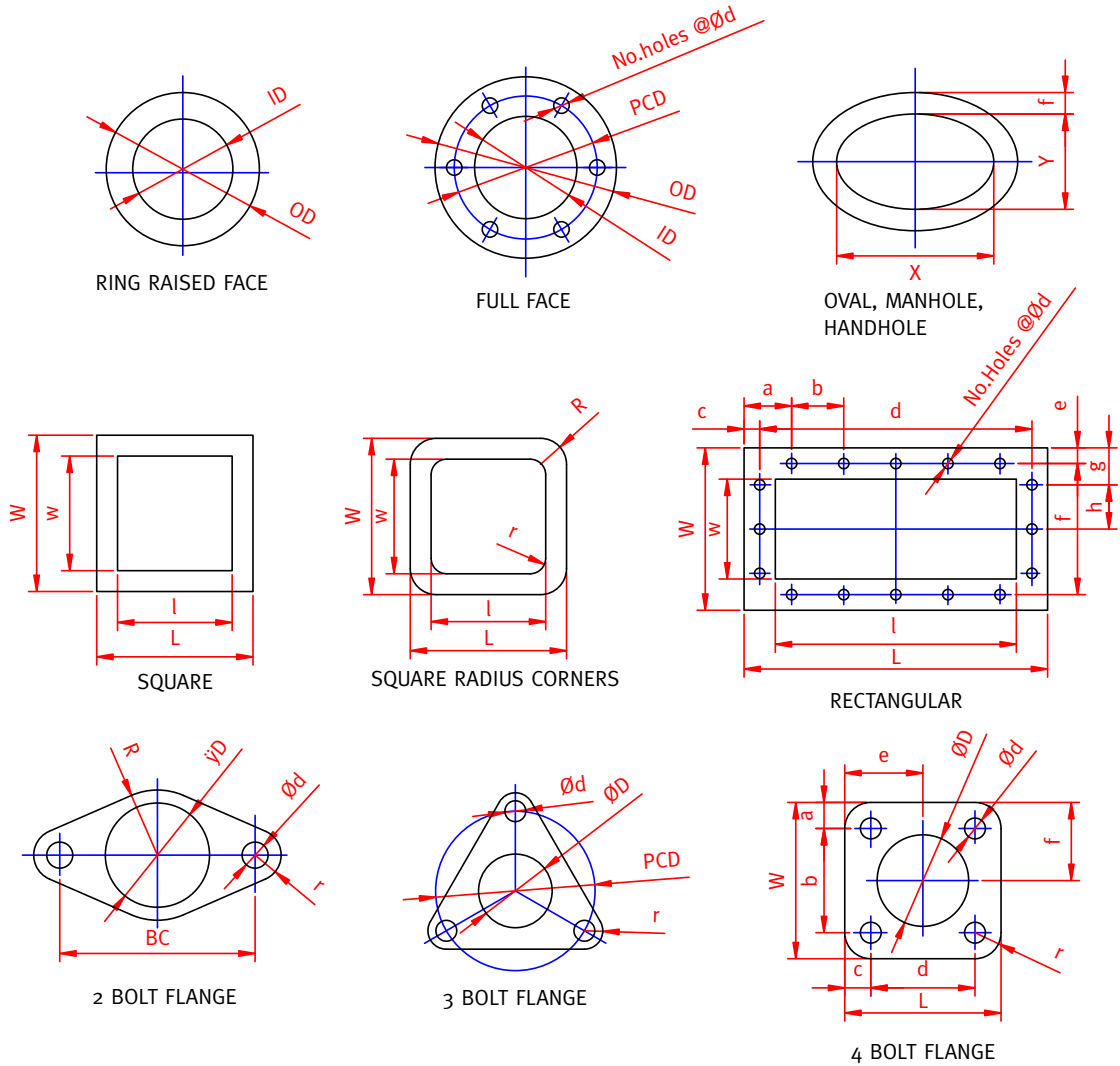


Gaskets

Standard dimensions required in a Gasket



Nomenclature

OD:	Outside Diameter
ID:	Inside Diameter
R / r:	Radius
PCD:	Pitch Circle Diameter
$\varnothing d$:	Hole Diameter
BC:	Bolt Circle
a,b,...w:	spec. dimension
X:	x axis dimension
Y:	y axis dimension
T:	Thickness